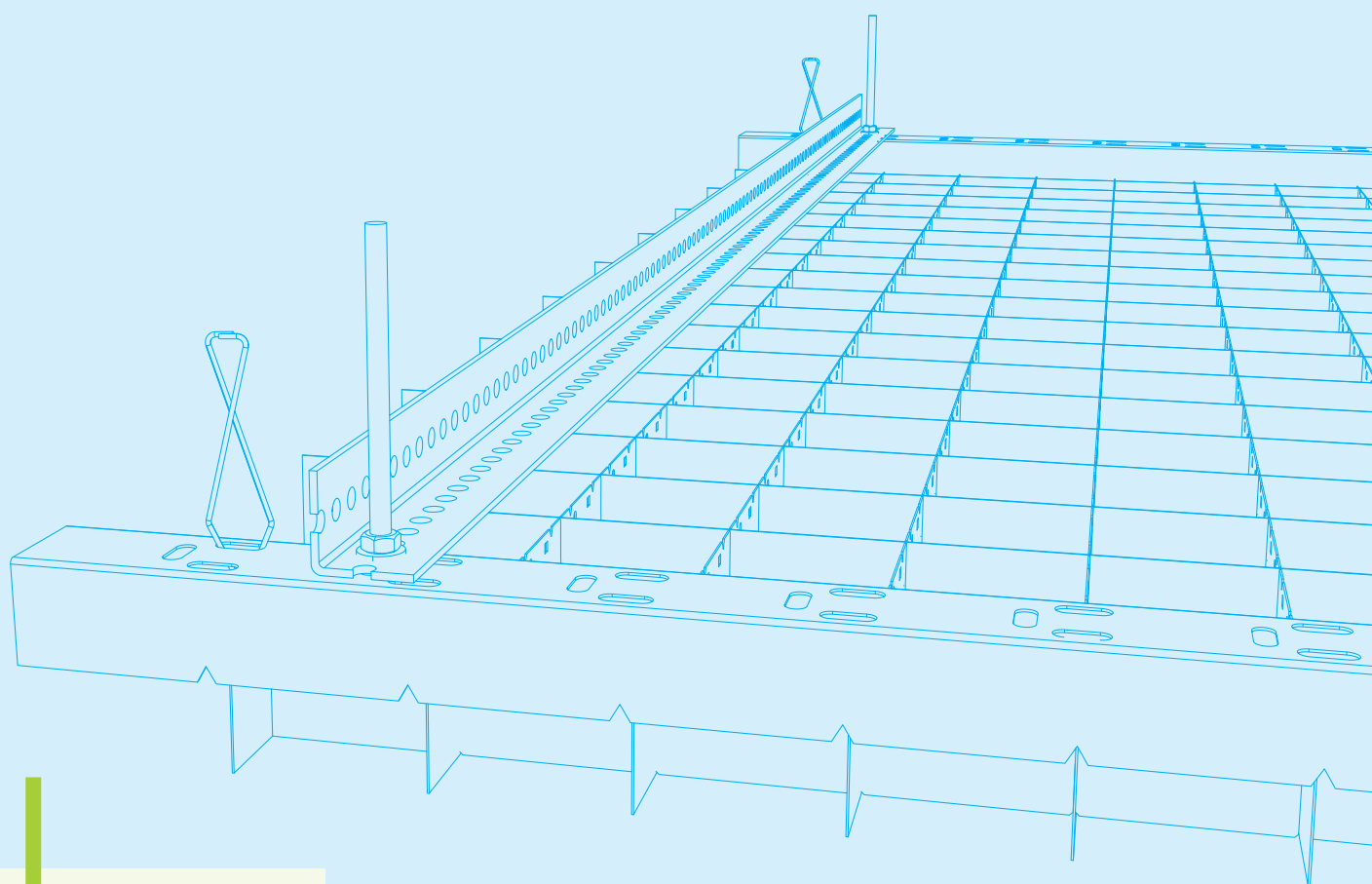


INSTALLATION SYSTEM USING U94 AND U1040 CARRIERS

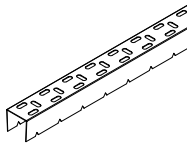
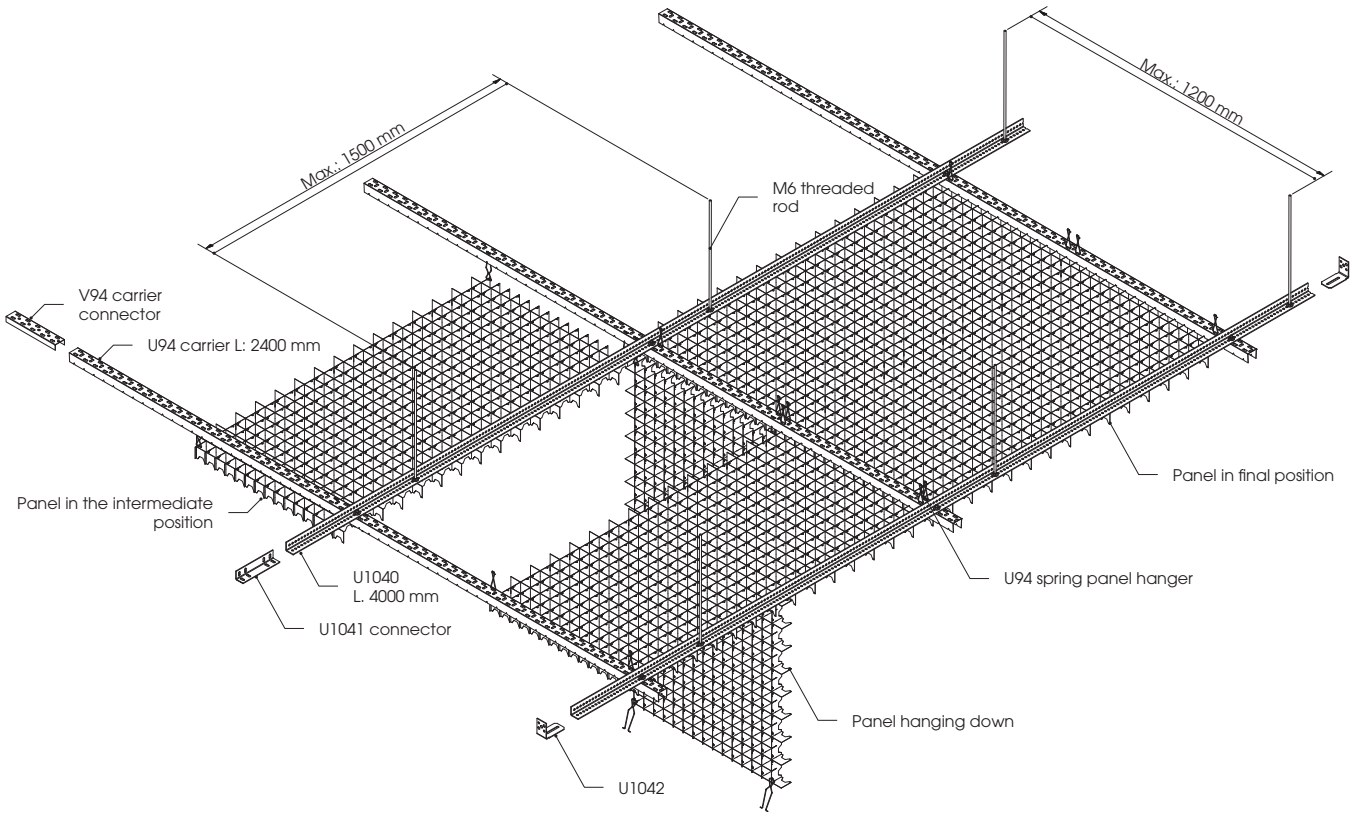


CEILING
LIGHTING
AMBIENCE

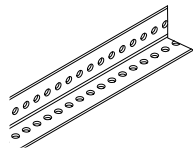


**The art
of functional
elegance**

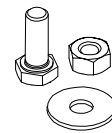
COMPONENTS



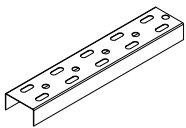
U94 carrier



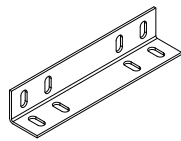
U1040 carrier



M6 screws, nuts, washers



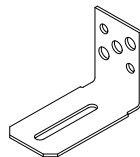
V94 carrier connector



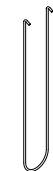
U1041 connector



C94 spring panel hanger



U1042 Perimeter angle trim (optional)

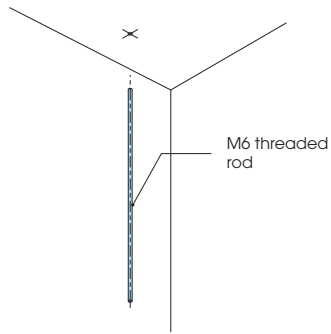


Spring extractor tool for U94 spring panel hangers

Spring extractor tool
(keep for future use)

ASSEMBLY - U1040

01

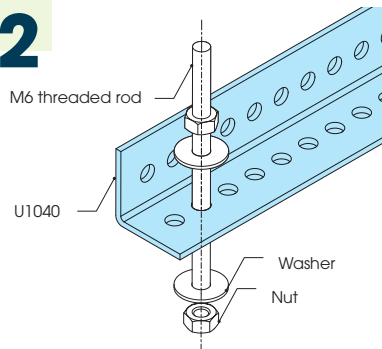


INSTALL THE M6 THREADED RODS

Install the M6 threaded rods (not supplied), which are used to suspend U1040 carriers:

- Maximum spacing (centre-to-centre) between the U1040 carriers: 1200 mm
- Hangers always parallel with each other
- Maximum spacing (centre to centre) between 2 threaded rods: 1500 mm

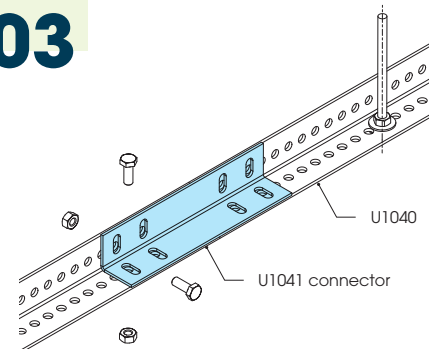
02



INSTALL THE U1040 CARRIERS

Put the U1040 carriers into place, ensuring they are level, and fasten them with 2 nuts and 2 washers, but without tightening them

03

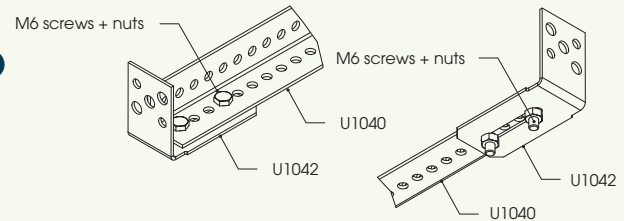


CONNECT THE U1040 CARRIERS

Connect the U1040 carriers to each other using a U1041 connector and 8 M6 screws and nuts to hold the elements solidly together.

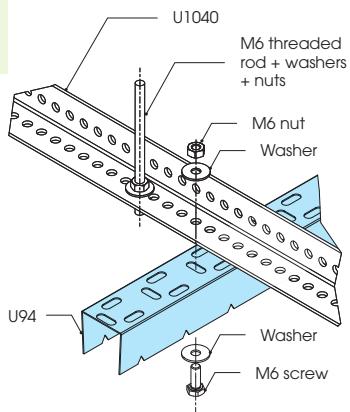
U1042 PERIMETER ANGLE TRIM (OPTIONAL)

The perimeter angle trims allow you to rigidify the structure by fastening the U1040 carriers to the surrounding walls.



ASSEMBLY - U94

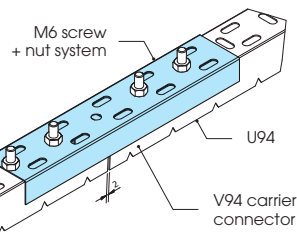
04



INSTALL THE U94 CARRIERS

Position the U94 carriers perpendicular to the U1040 carriers, ensuring they are level, and fasten them into place with the M6 nuts and washers, but without tightening them

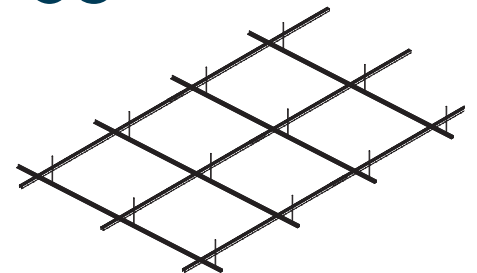
05



CONNECT THE U94 CARRIERS

To connect the U94s, use the V94 carrier connectors and 4 M6 screws + nuts
Leave a 2 mm gap between each U94

06



CHECK AND SECURE

Check that the following conditions are met:

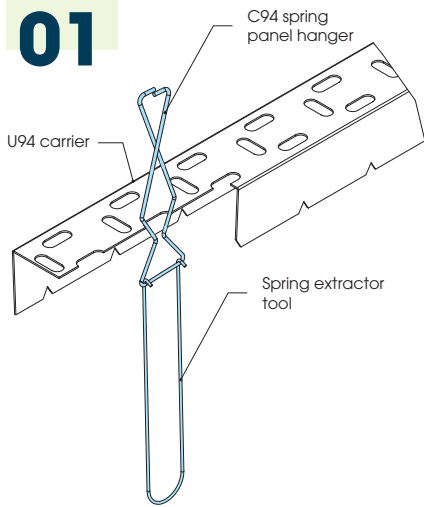
- Alignment, level and flatness of the U94 and U1040 carriers
- Correct spacing (centre-to-centre distance)
- Check the parallelism and right angles of the entire structure
- Use wall brackets to secure and rigidify the structure



TUTORIAL - ASSEMBLING U1040 AND U94 CARRIERS

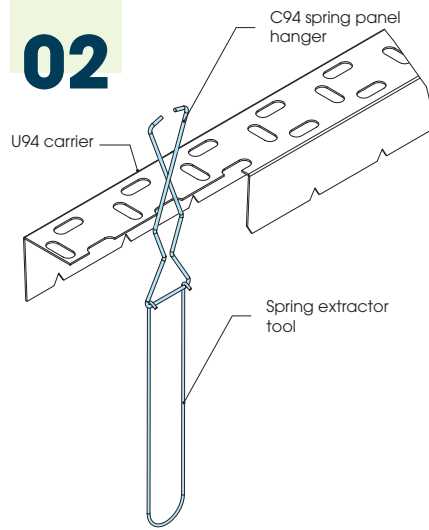
UNHOOKING PANELS

01



HOOK THE SPRING EXTRACTOR TOOL ONTO THE C94 SPRING PANEL HANGER

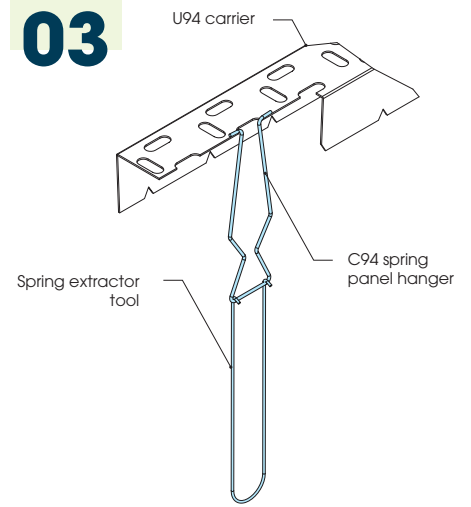
02



REMOVE THE SPRING PANEL HANGER

Pull downwards (approx. 15 mm) until the spring panel hanger passes through the oblong hole in the U94 carrier

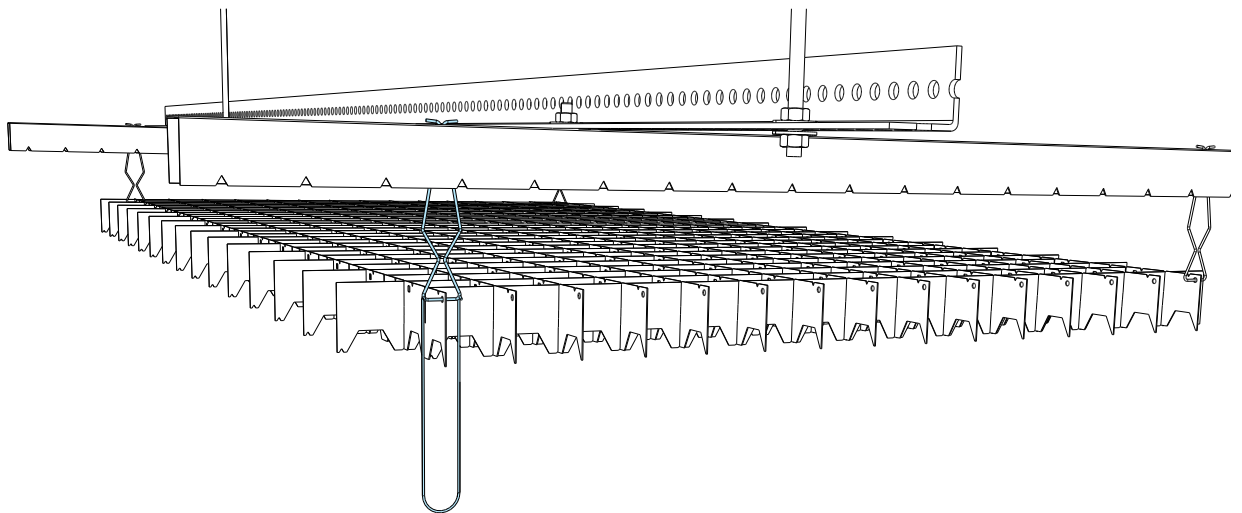
03



MOVE THE PANEL INTO THE INTERMEDIATE POSITION

Repeat with the other 3 hangers holding the panel in place

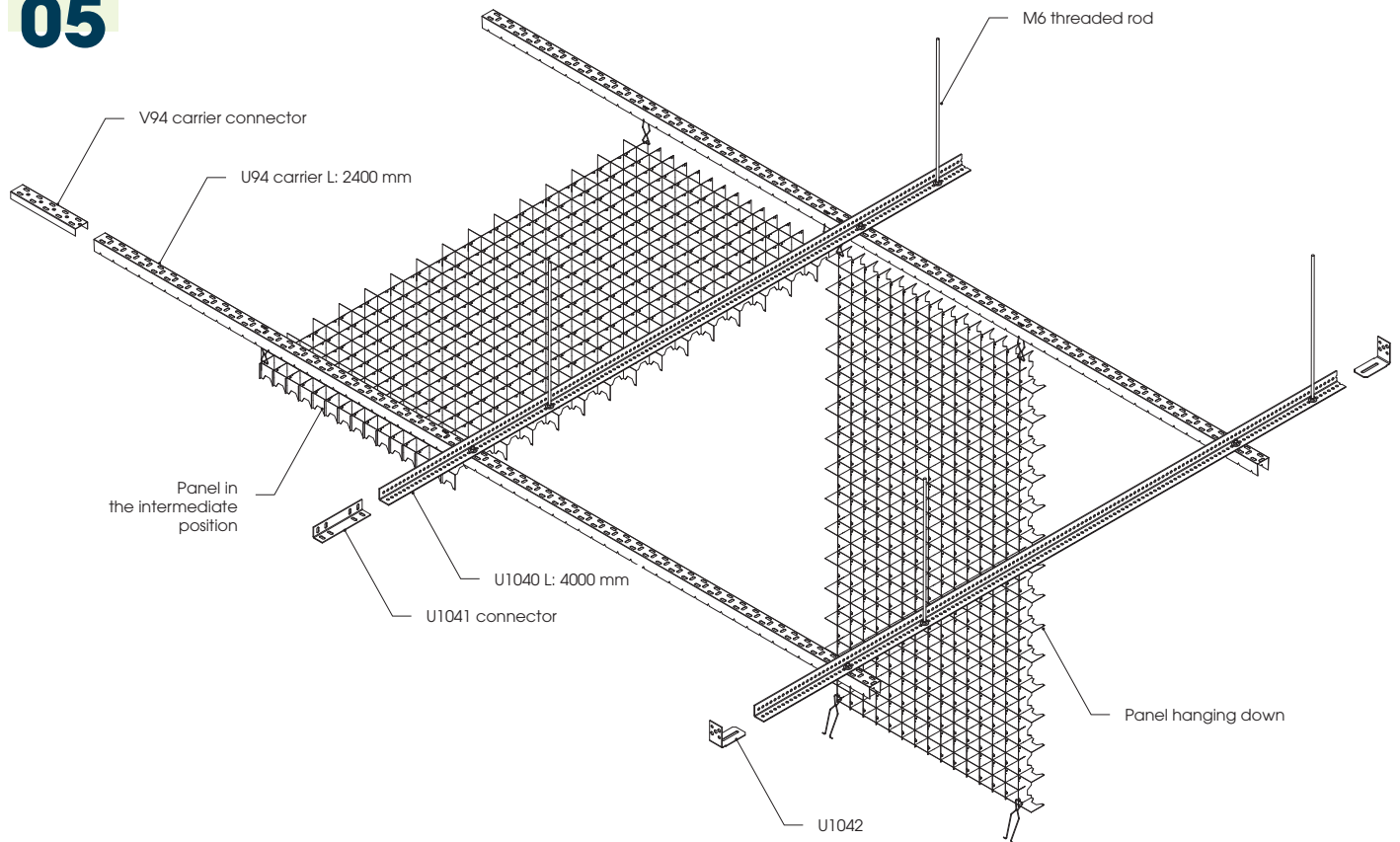
04



TUTORIAL - UNHOOKING PANELS FROM U94 CARRIERS

UNHOOKING PANELS

05



PANEL LOWERING

Remove two of the panel hangers and lower one side until the panel is hanging by the other side

EASY CARE

Clean with a damp cloth and soapy water (neutral pH)



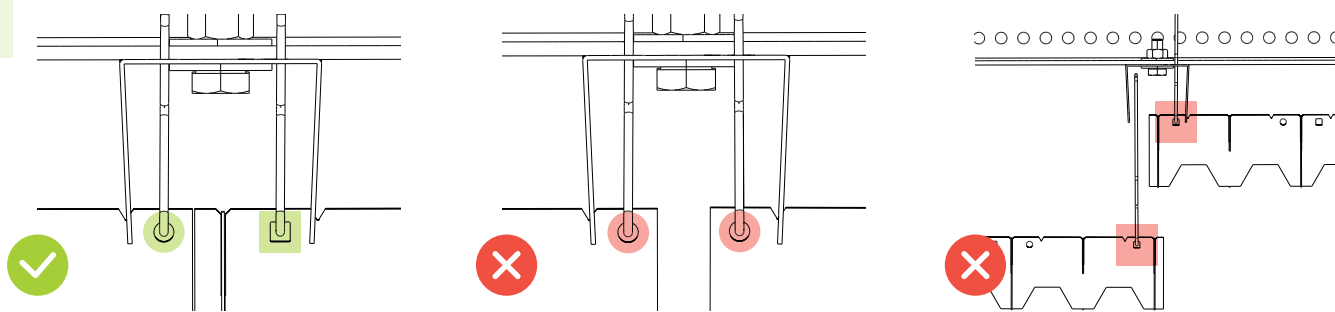
TUTORIAL - UNHOOKING THE PANEL FROM THE U94 CARRIER

DURLUMEN S.A. – French manufacturer of metal ceilings since 1969

17 rue de l'industrie | Z.I. Les Rêpes | 70000 Vesoul | France
Tel.: +33 (0)3 84 75 86 66 | Email: info@durlumen.com
www.durlumen.com

ASSEMBLY - PANELS

07

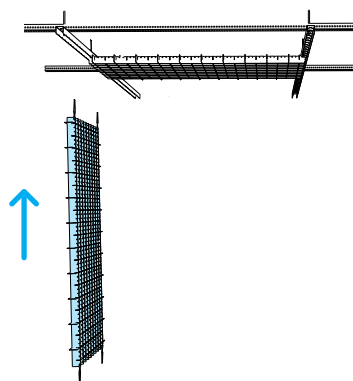


INSTALL THE PANELS

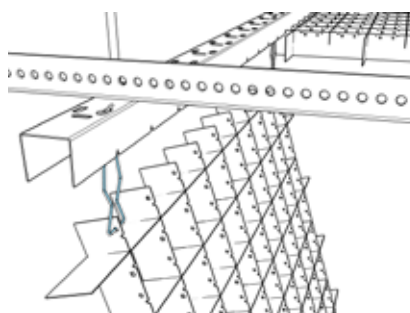
- Put the panel in position ensuring it is the right way round: locating guides ○ and □ (07)
- Place 4 C94 spring panel hangers at the 4 corners of the panel
- Insert the hangers in the oblong holes in the U94 carrier, then push until they click into place (09)
- Check the panels are correctly aligned and adjust if necessary (12 and 13)

ASSEMBLY ON U94 CARRIERS

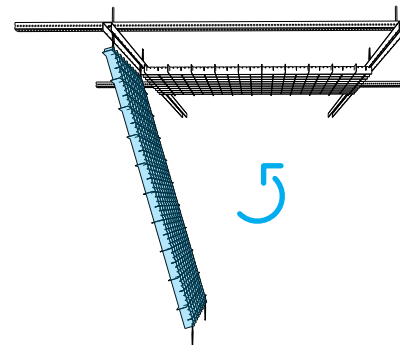
08



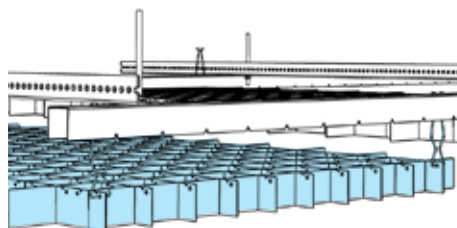
09



10

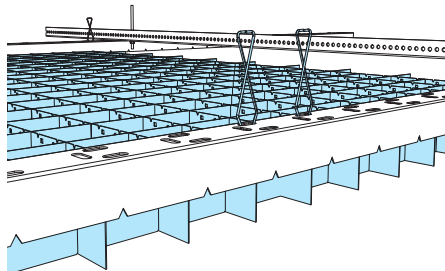


11



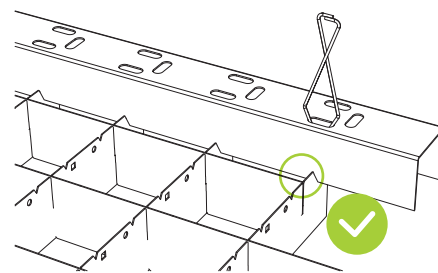
Panel in the intermediate position ready to fit

12



Panel in final position

13



Check all the parts are correctly locked together

TUTORIAL - ASSEMBLING PANELS
ON U94 CARRIERS

